

Euroflex HiLo

Partlist

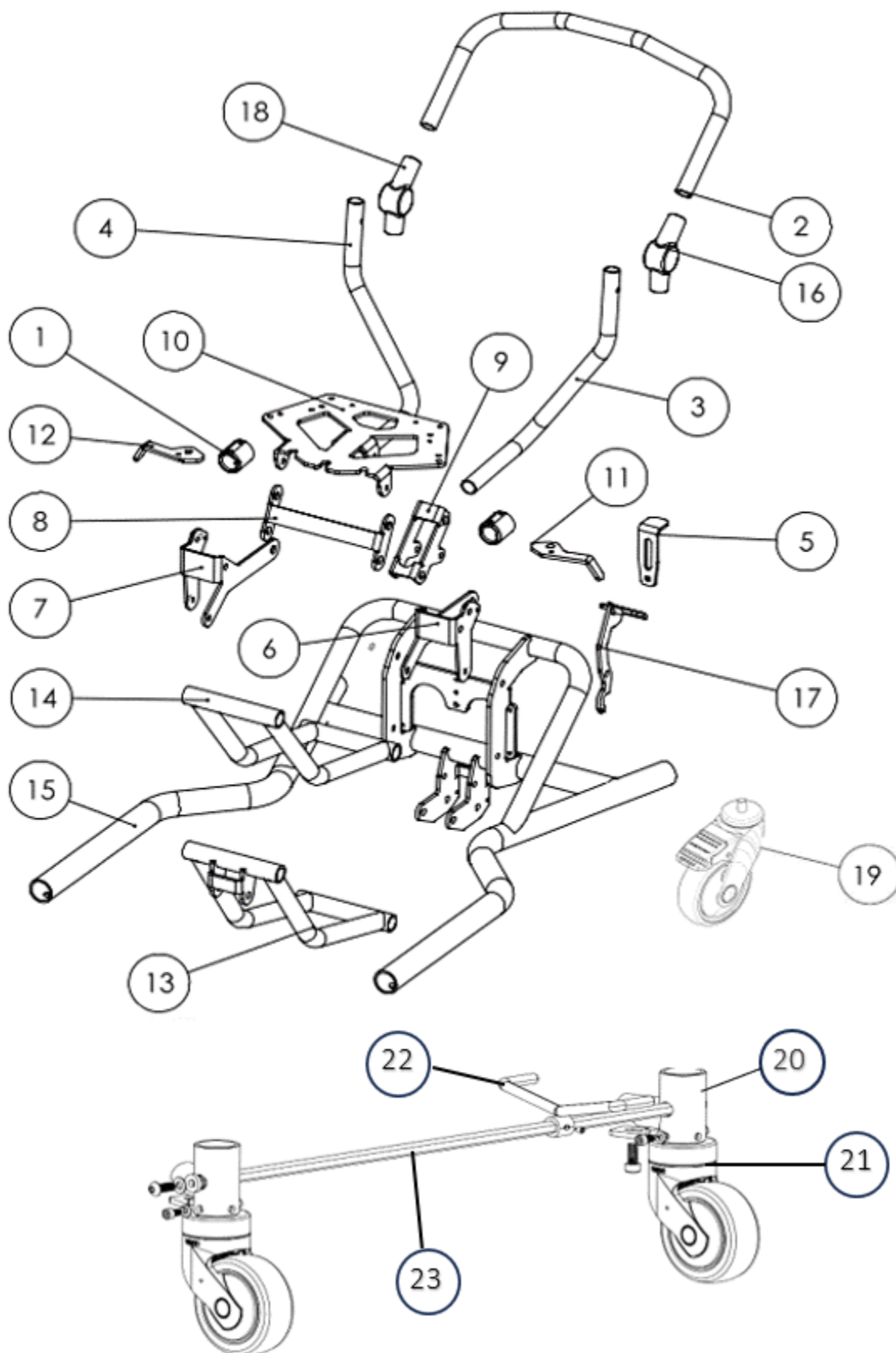


Picture 1

Table of contents

| | |
|-----------------------------------|----|
| Table of contents | 2 |
| Chassis..... | 3 |
| Part list chassis..... | 4 |
| Electronics..... | 5 |
| Seat lift and tilt manual..... | 6 |
| Seat unit..... | 7 |
| Backrest mechanism | 8 |
| Seat, backrest, and armrest | 9 |
| Footplate, hip support | 10 |
| Notes..... | 11 |

Chassis

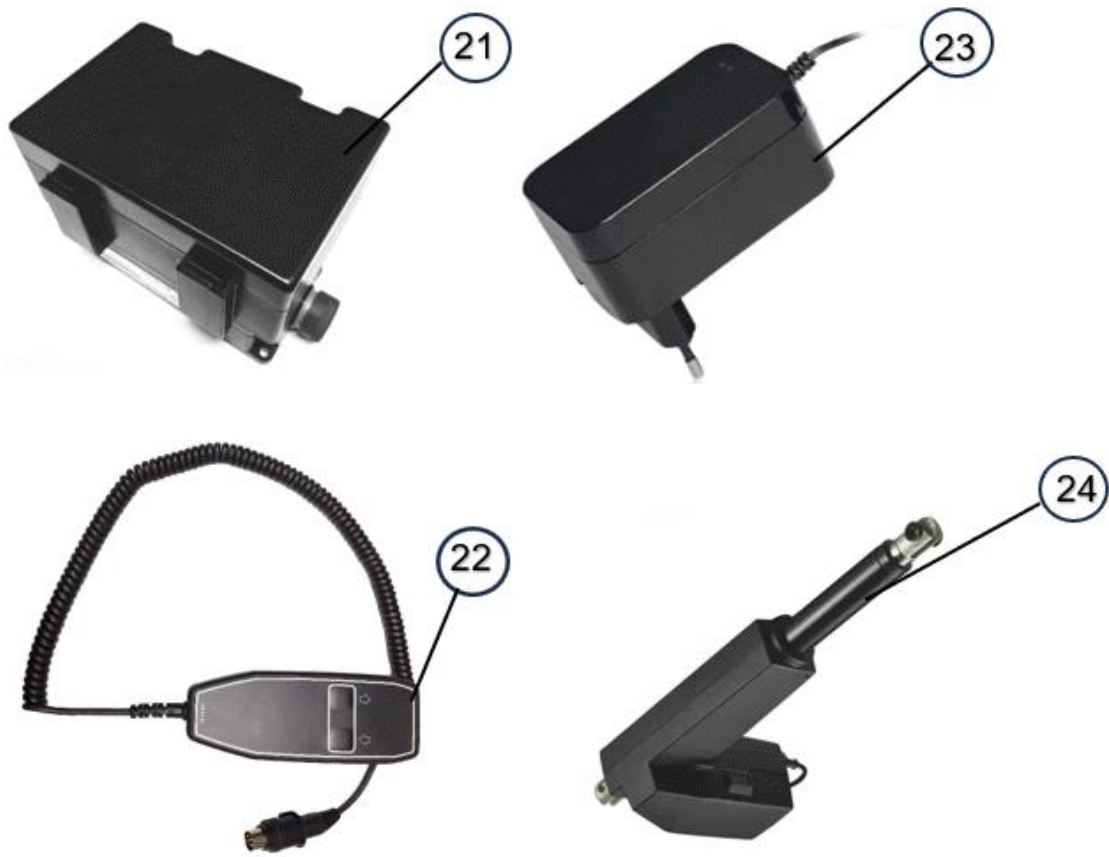


Picture 2

Part list chassis

| ITEM NO. | PART NUMBER | NOTES |
|-----------------|--------------------|--------------------|
| 1. | 55045 | |
| 2. | 62014 | |
| 3.+ 4. | 65089 | PAIR |
| 5. | 65125 | |
| 6. | 65220 | |
| 7. | 65221 | |
| 8. | 65222 | |
| 9. | 65223 | |
| 10. | 65300 | |
| 11. + 12 | 55218 | PAIR |
| 13. | 65859 | |
| 14. | 65860 | |
| 15. | 65861 | |
| 16. | 65862 | |
| 17. | 65863 | |
| 18. | 65862 | |
| 19. | 20002 | |
| 20. | 6610-1100 | Brake kit complete |
| 21. | 00066735 | Rear wheel |
| 22. | 284002-1110 | |
| 23. | 10032133 | |

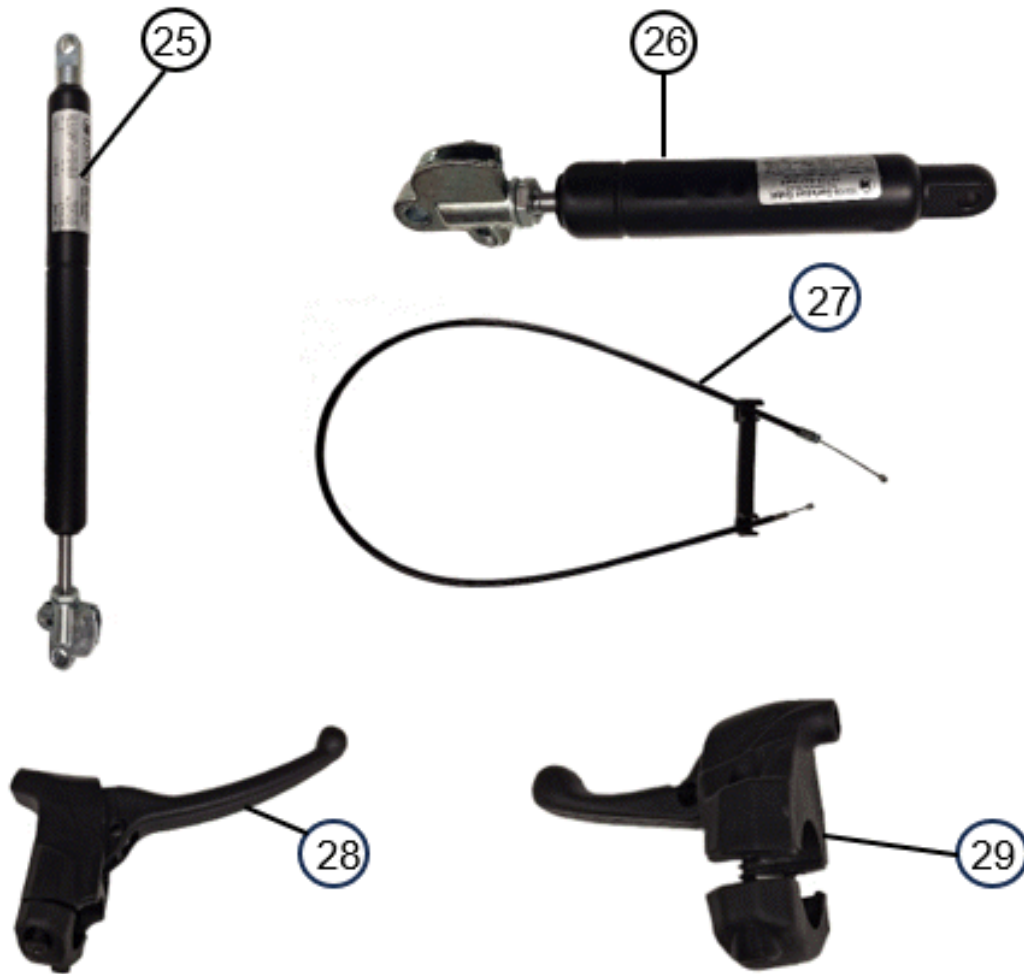
Electronics



Picture 3

| ITEM NO. | PART NUMBER | NOTES |
|-----------------|--------------------|------------------|
| 21a. | CB8001P60-00 | CB8 Electronics. |
| 21b. | 93539-2 | Battery pack. |
| 22. | HB41 | Hand control |
| 23. | CH01-EU | Charger |
| 24. | LA31J32420 | Actuator LA31 |

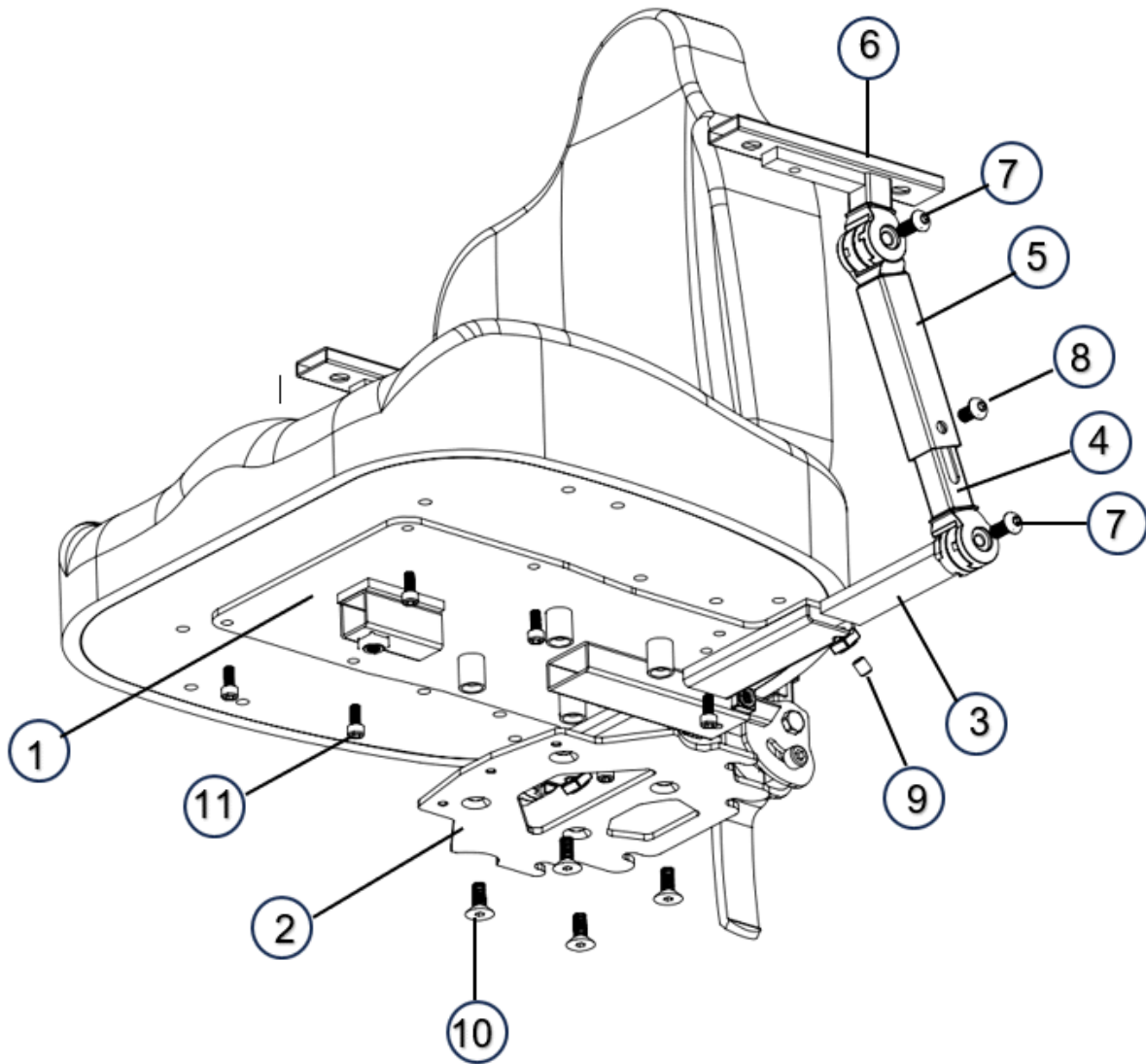
Seat lift and tilt manual



Picture 4

| ITEM NO. | PART NUMBER | NOTES |
|----------|-------------|------------------|
| 25. | 93362 | Seat lift 1000 N |
| 26. | 93383 | Seat tilt 500 N |
| 27. | 65105 | 93 cm |
| 28. | 65103 | Seat lift |
| 29. | 55593 | Seat tilt |

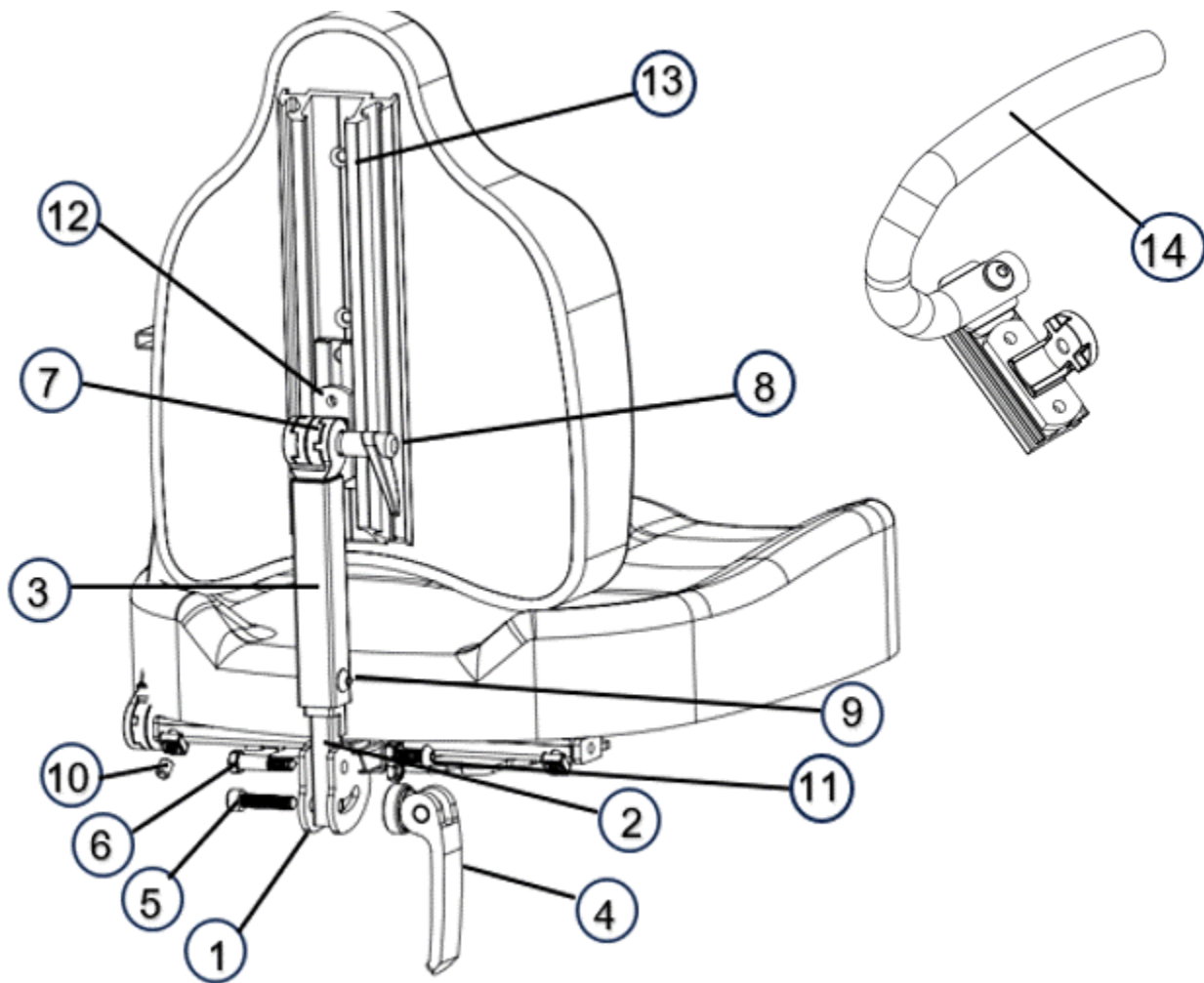
Seat unit



Picture 5

| ITEM NO. | PART NUMBER | NOTES |
|----------|---------------------|-------------|
| 1. | 10030427 | |
| 2. | 65300 | |
| 3a. | 10030431 | Short |
| 3b. | 10032442 | Long |
| 4. | 699001-4010 | |
| 5. | 699001-4000 | |
| 6a. | 10032447 | Left |
| 6b. | 10032448 | Right |
| 7. | 7K6S-8x25 svartkrom | M8x25 black |
| 8. | 7K6S-8x20 svartkrom | M8x20 black |
| 9. | 7SK6SS-8x8 | |
| 10. | 7F6S-8x25 FZB | |
| 11. | 7MC6SF-6x16 | |

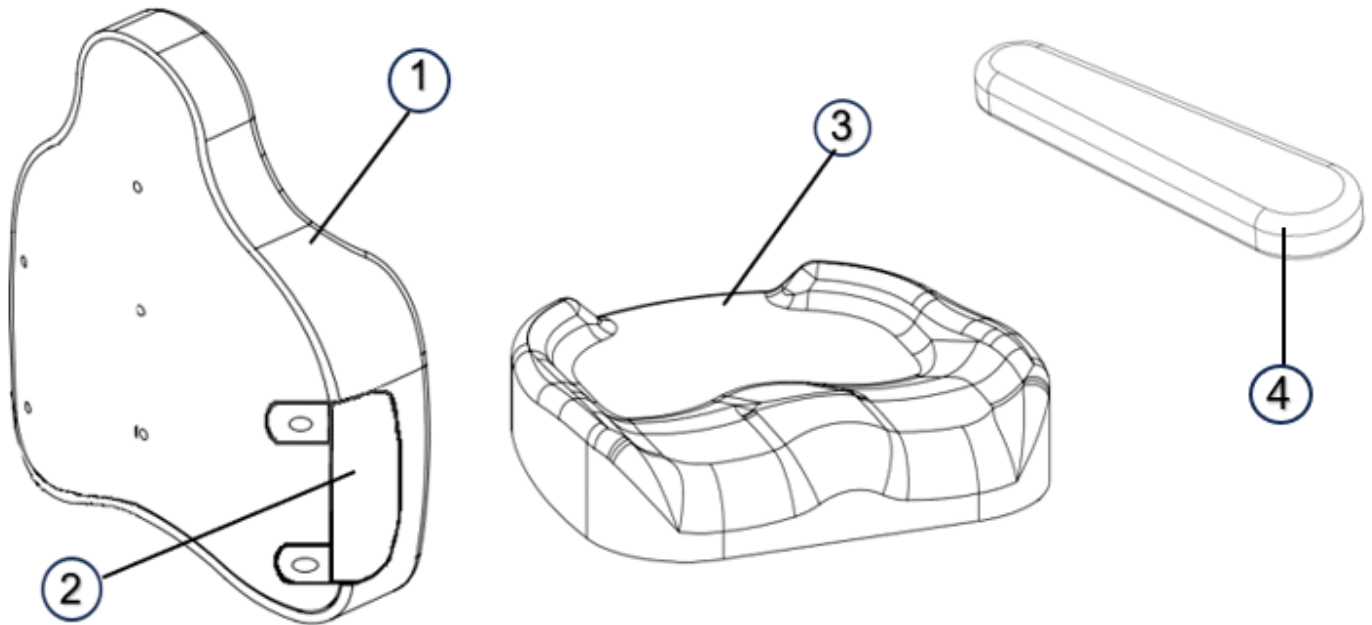
Backrest mechanism



Picture 6

| ITEM NO. | PART NUMBER | NOTES |
|----------|-----------------|-------------------------|
| 1. | 10032420 | |
| 2. | 10032434 | |
| 3. | 10032461 | |
| 4. | 7GN92782-M8 | |
| 5a. | 7MC6S-8x35 | |
| 5b. | 105008000 | Heico Lock 8,6x13,5x2,7 |
| 6. | 7MC6S-8x35 | |
| 7. | 624001-9000 | |
| 8. | 7MRP-63-8x30 | |
| 9. | 7K6S-8x20 | |
| 10. | 7SK6SS-8x12 FZB | |
| 11. | 7K6S-8x25 | |
| 12. | 10032436 | |
| 13. | 674001-6002 | ABC alu profile 160 mm |
| | 674001-6001 | ABC alu profile 280 mm |
| 14. | 10030461 | |

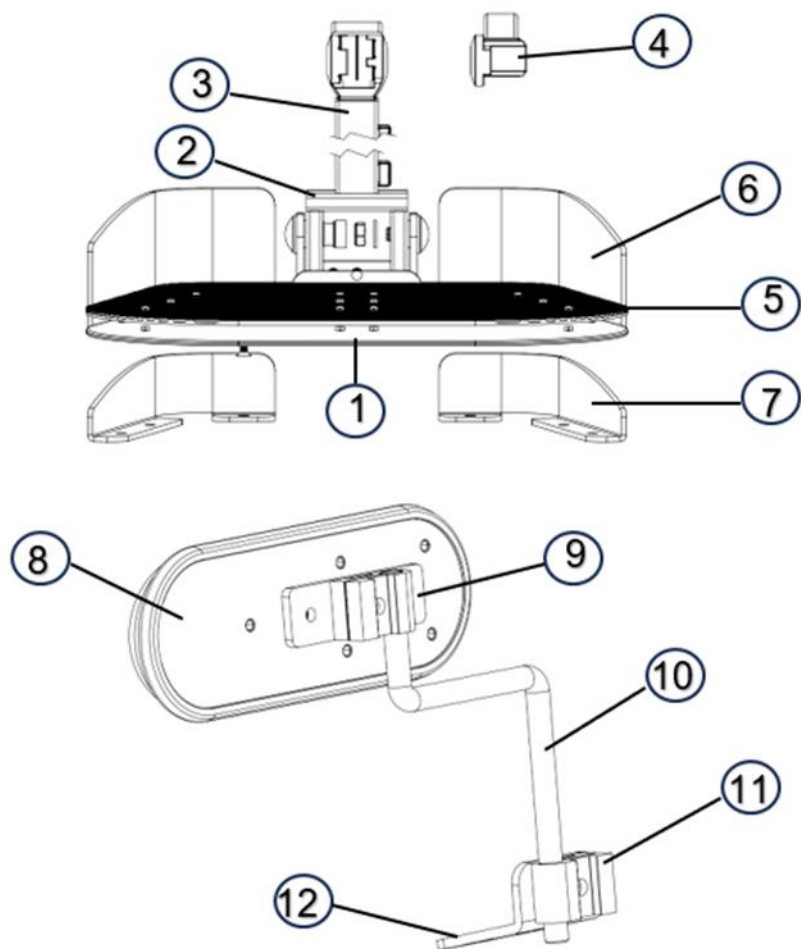
Seat, backrest, and armrest



Picture 7

| ITEM NO. | PART NUMBER | NOTES |
|----------|-------------|---------------------------------------|
| 1a. | 224576-2532 | SitRite 25x32 cm incl. alu profile |
| | 224576-2732 | SitRite 27x37 cm incl. alu profile |
| | 224576-3640 | SitRite 35x43 cm incl. alu profile |
| 1b. | 224536-2532 | SitRite LS 14x32 cm incl. alu profile |
| | 224536-2732 | SitRite LS 17x37 cm incl. alu profile |
| | 224536-3640 | SitRite LS 24x43 cm incl. alu profile |
| 2a. | 624001-4700 | Lateral reinforcement SitRite pair |
| 2b. | 624002-4700 | Lateral reinforcement SitRite LS pair |
| 3. | 624570-2631 | SitRite 26x31 cm |
| | 624570-2732 | SitRite 29x32 cm |
| | 624570-3236 | SitRite 32x36 cm |
| | 624570-3640 | SitRite 36x40 cm |
| | 624570-3645 | SitRite 36x45 cm |
| | 624550-4040 | SitRite 40x40 cm |
| 4. | 634002-4004 | 25x8x3 cm |
| | 634001-4004 | 25x8x5 cm |

Footplate, hip support



| ITEM NO. | PART NUMBER | NOTES |
|----------|--------------|--------------------------------|
| 1a. | 224002-2025 | Footplate including 1, 2, 3, 4 |
| 1b. | 10027278 | |
| 2. | 10027006 | |
| 3. | 674001-2004 | |
| 4. | 624101-2009 | |
| 5. | 224002-2040 | Rubber mat |
| 6. | 224002-2035 | Right and left high |
| 7. | 224002-2030 | Right and left low |
| 8a. | 274047-4500V | Thigh support complete left |
| | 274047-4500H | Thigh support complete right |
| 8b. | 274047-4500 | Thigh support Pad |
| 9. | 274000-4500 | |
| 10. | 6740014502 | |
| 11. | 624001-2014 | |
| 12. | 674001-4501 | |

Eurovema

Eurovema AB

Baldersvägen 38, SE-332 35 Gislaved, Sweden
Tel./Phone +46 371 390 100 | Fax. +46 371 189 82
info@eurovema.se | www.eurovema.se