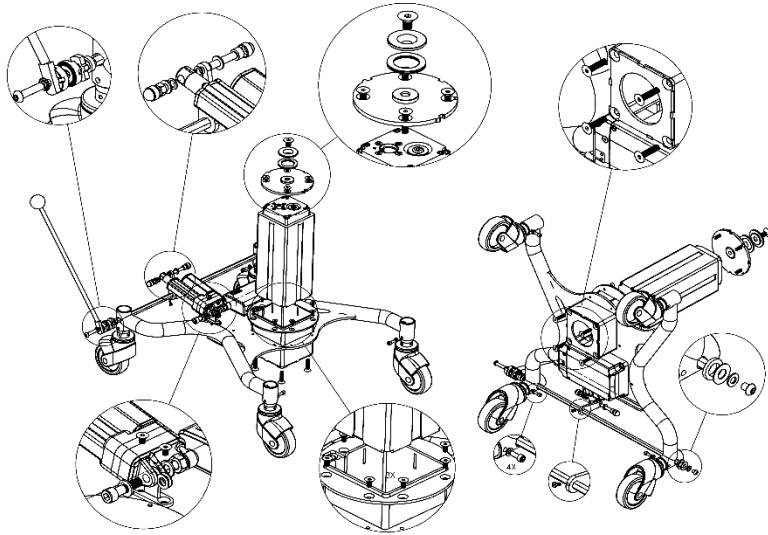
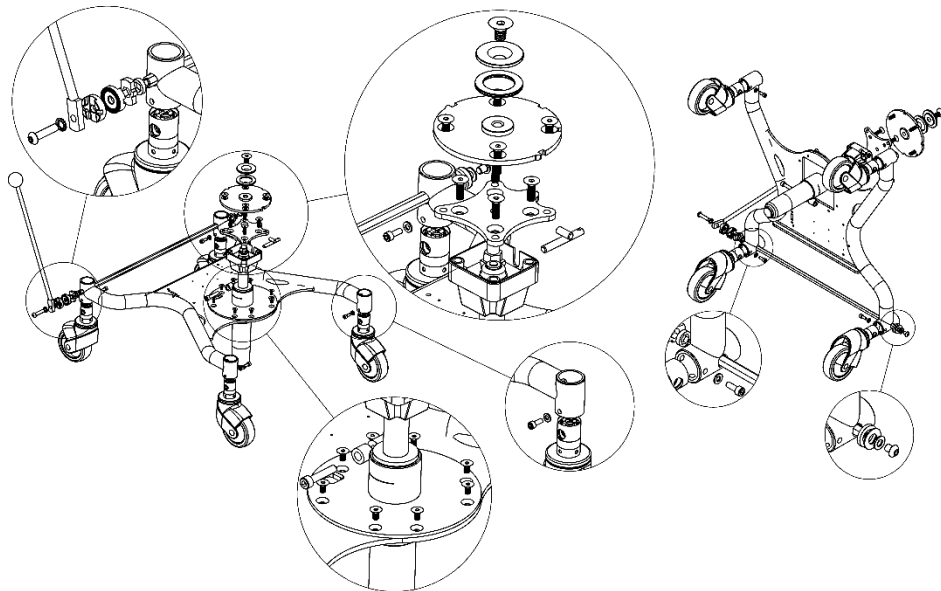


# Euroflex Sigma

## Partlist



Picture 1a



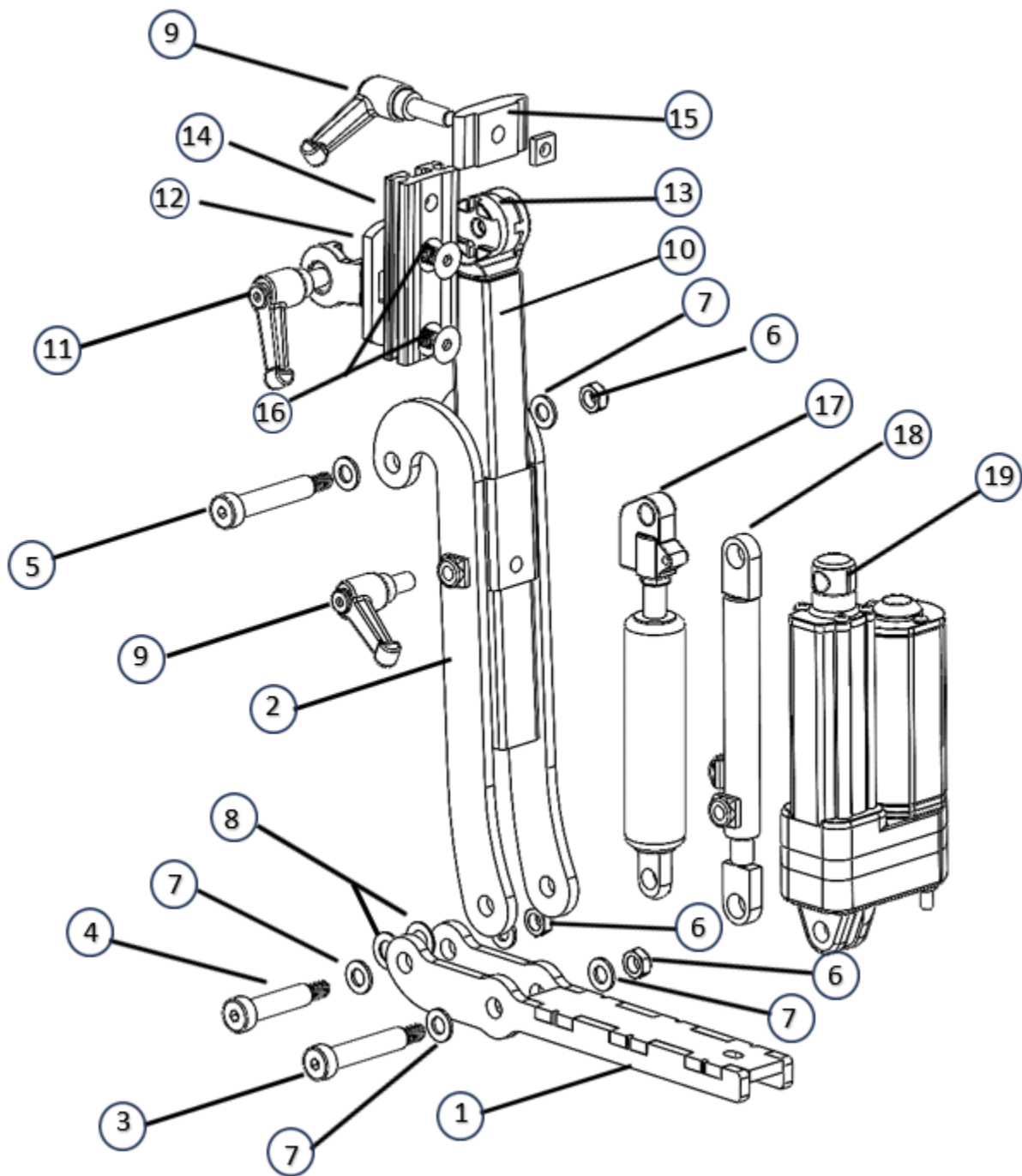
Picture 1b

# Table of contents

## Content

|                                    |    |
|------------------------------------|----|
| Table of contents .....            | 2  |
| Multirygg/Multi backrest .....     | 3  |
| Partlist Multi backrest .....      | 4  |
| SitRite Backrest .....             | 5  |
| Partlist SitRite backrest .....    | 6  |
| Seat cross .....                   | 7  |
| Legrest bracket .....              | 8  |
| Electric seat lift.....            | 9  |
| Seat lift manual .....             | 10 |
| Manual seat lift .....             | 11 |
| Chassis electric.....              | 12 |
| Chassis gas lift .....             | 13 |
| Brake lever .....                  | 14 |
| Tilt device.....                   | 15 |
| Electric brake .....               | 16 |
| Control electronics.....           | 17 |
| Battery .....                      | 18 |
| Distribution box .....             | 19 |
| Distribution box fixt armrest..... | 20 |
| Footplate.....                     | 21 |
| Configuration .....                | 22 |
| Configuration part list.....       | 23 |

# Multi backrest

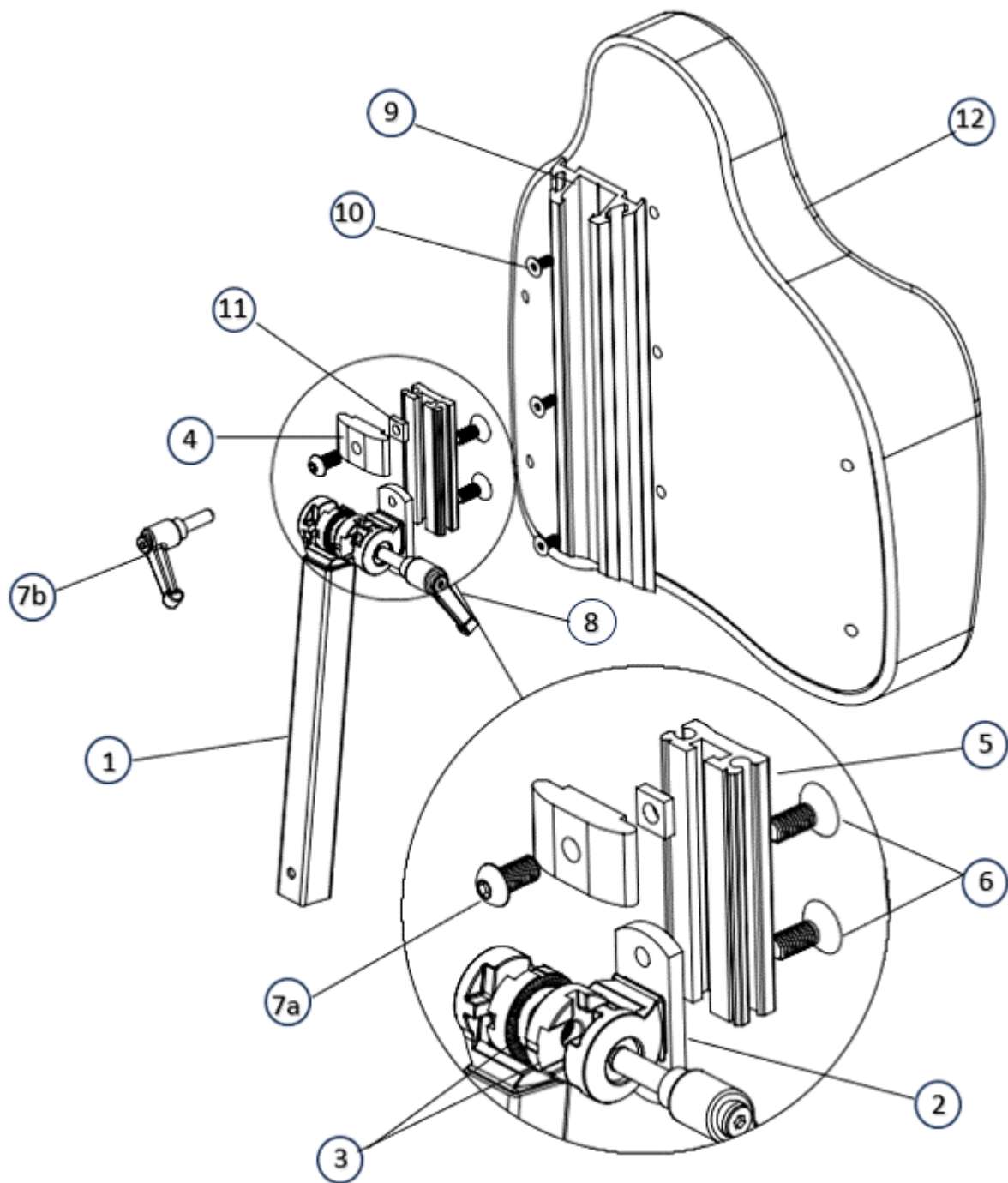


Picture 2

## Partlist Multi backrest

| <b>Item no.</b> | <b>Part number</b> | <b>Notes</b>           |
|-----------------|--------------------|------------------------|
| 1.              | 00440160           |                        |
| 2.              | 00440240           |                        |
| 3.              | 7PASSBULT 8*50     | Dowel bolt 10x50-M8    |
| 4.              | 7PASSBULT 8*40     | Dowel bolt 10x40-M8    |
| 5.              | 7PASSBULT 8*50     | Dowel bolt 10x50-M8    |
| 6.              | 7LOCKING-M8L FZB   | M8 Lock nut            |
| 7.              | 7BRB-10,5*20*2 FZB | 10,5x20x2              |
| 8.              | 7PLASTB-10,5*18    | Plastic washer 10,5x18 |
| 9.              | 7WN5000-8*16       | WN56-M8x16             |
| 10.             | 00440250           |                        |
| 11.             | 7MRP-63-8*30       | MRX 63p-8x30           |
| 12.             | 274001-6005        |                        |
| 13.             | 624001-9000        |                        |
| 14.             | 674001-6004        |                        |
| 15.             | 675002-4400        |                        |
| 16.             | 7F6S-8*22          | MF6S-8x22 FZB          |
| 17.             | 624001-9300        |                        |
| 18.             | 229001-6008        |                        |
| 19.             | 800010-1861        |                        |

# SitRite Backrest

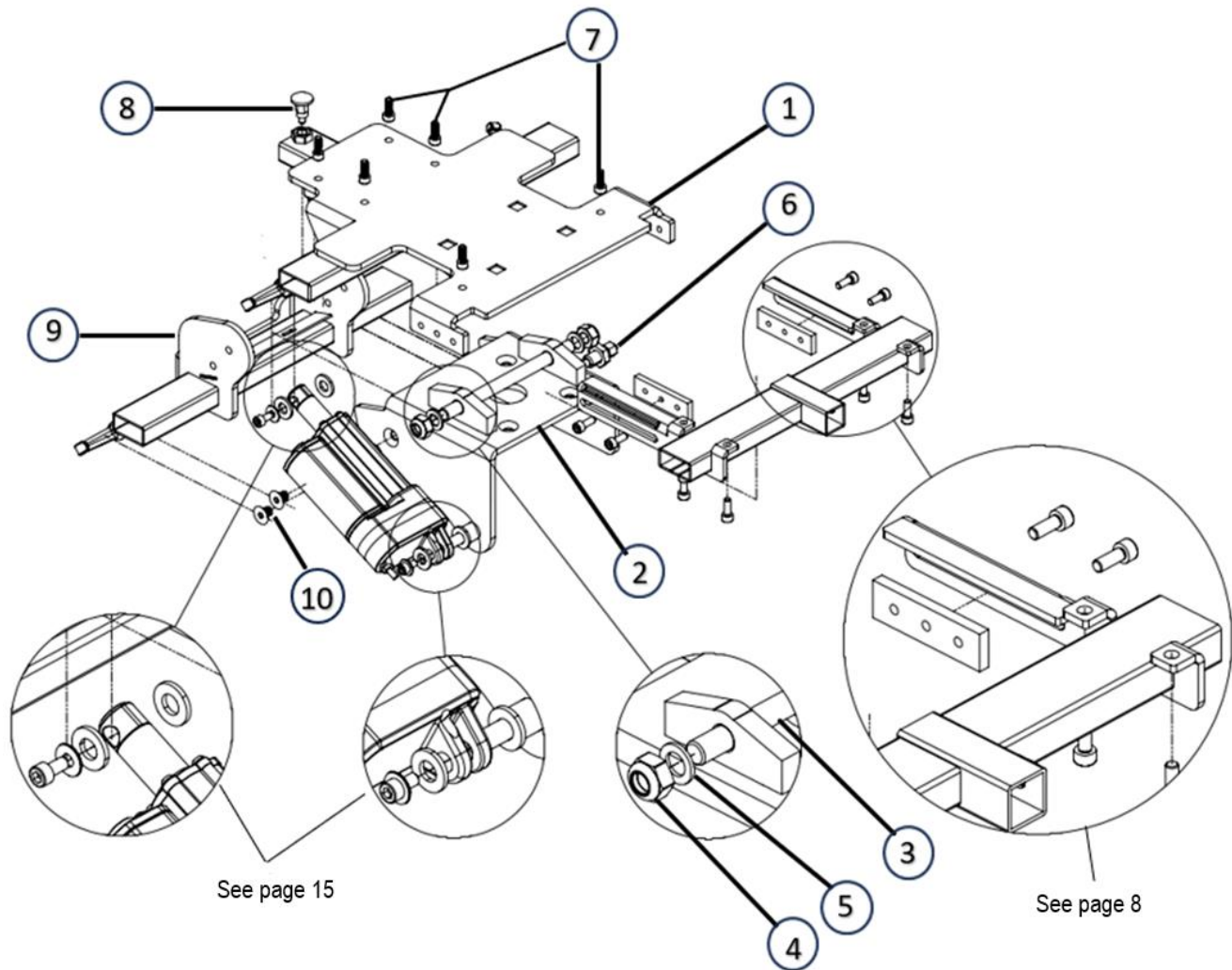


Picture 3

## Partlist SitRite backrest

| <b>Item no.</b> | <b>Part number</b> | <b>Notes</b>    |
|-----------------|--------------------|-----------------|
| 1.              | 00440250           |                 |
| 2.              | 274001-6005        |                 |
| 3.              | 624001-9000        |                 |
| 4.              | 675002-4400        |                 |
| 5.              | 674001-6004        |                 |
| 6.              | 7F6S-8*22          | F6S-8x22 FZB    |
| 7a.             | 7K6S-8*25 SV       | K6S-M8x25 Black |
| 7b.             | 7WN5000-8*16       | WN56-M8x16      |
| 8.              | 7MRP-63-8*30       | MRX 63p-8x30    |
| 9.              | 674001-6001        | Profile 280 mm  |
| 10.             | 7F6S-6*14          | MF6S 6x14       |
| 11.             | 7ML4M-8            | ML4M-8          |
| 12a.            | 624525-3640        | 36x40 cm        |
|                 | 624525-4245        | 42x45 cm        |
|                 | 624525-5050        | 50x50 cm        |

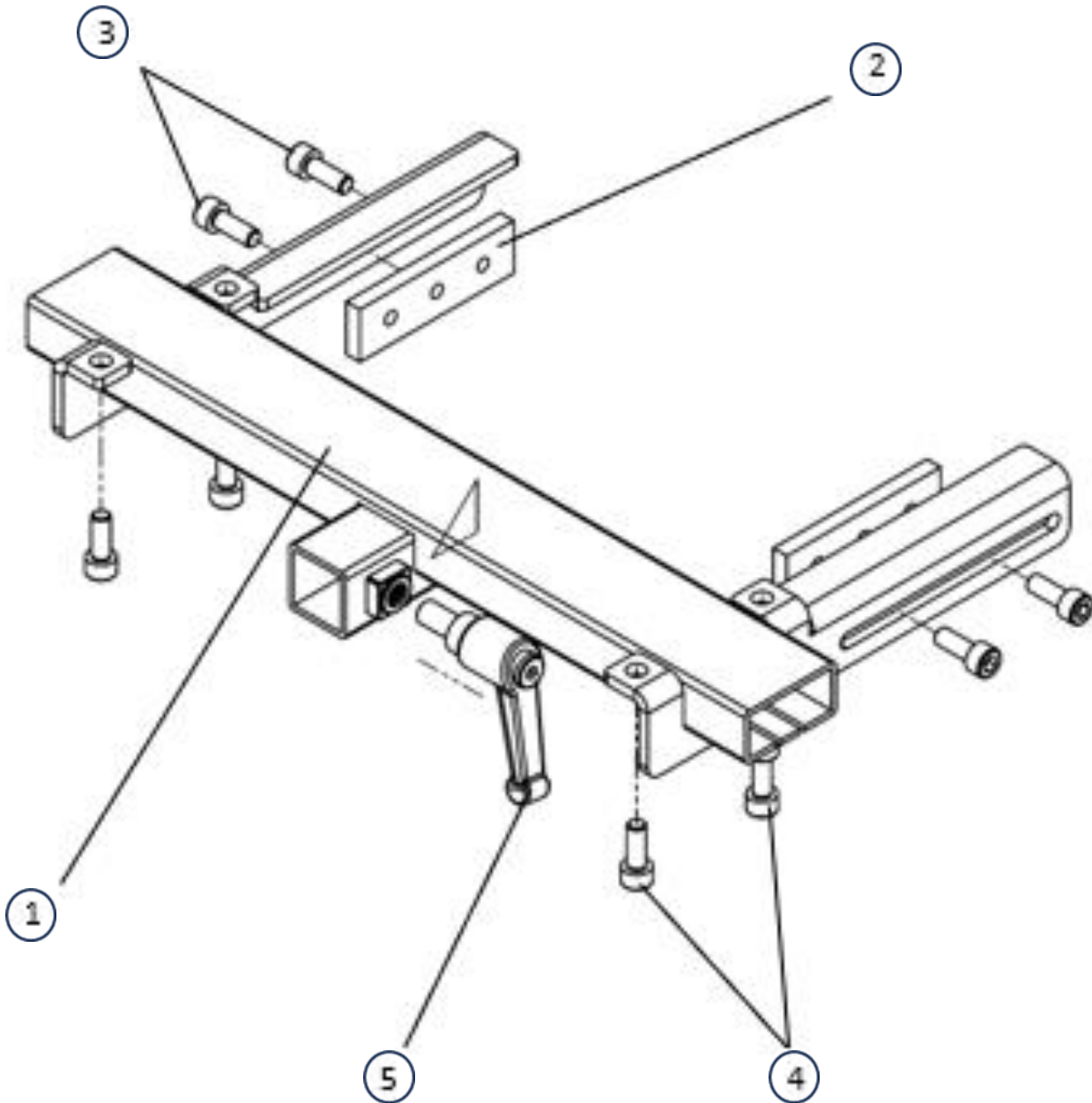
## Seat cross



Picture 4

| Item no. | Part number       | Notes          |
|----------|-------------------|----------------|
| 1.       | 00440040          |                |
| 2.       | 00440041          |                |
| 3.       | 00440187          |                |
| 4.       | 7LOCKING-M12L FZB | M12 Lock nut   |
| 5.       | 7BRB-12*22*2      | M12x22x2       |
| 6.       | 7GN717OK8         |                |
| 7.       | 7MC6S-6*16 LOCK   | M6 LOCKTITE    |
| 8.       | 710001-3400       |                |
| 9.       | 00440105          |                |
| 10.      | F6S-8*16          | F6S 6x16 black |

# Legrest bracket

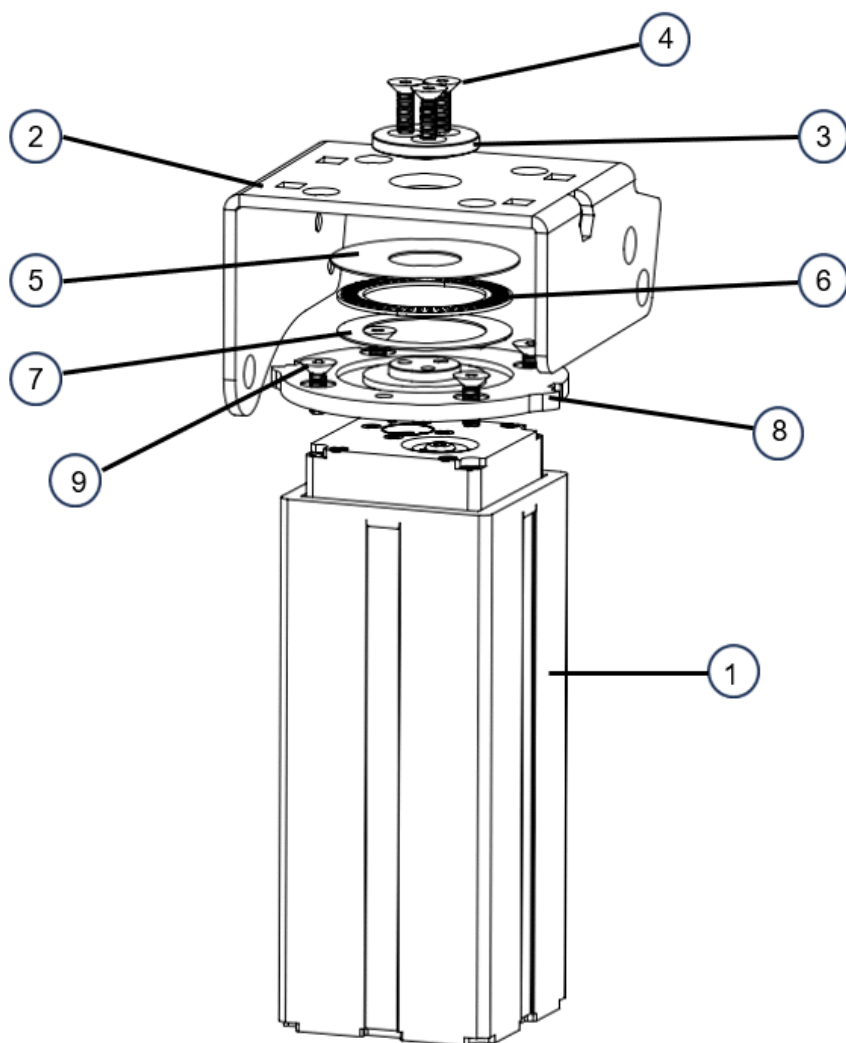


Picture 5

| Item no. | Part number     | Notes              |
|----------|-----------------|--------------------|
| 1.       | 00440043        |                    |
| 2.       | 00440118        |                    |
| 3.       | MC6S-6*16       | MC6S 6x16          |
| 4.       | 7MC6S-6*16 LOCK | MC6S 6x16 LOCKTITE |
| 5.       | 7WN5000-8*16    | WN56-M8x16         |



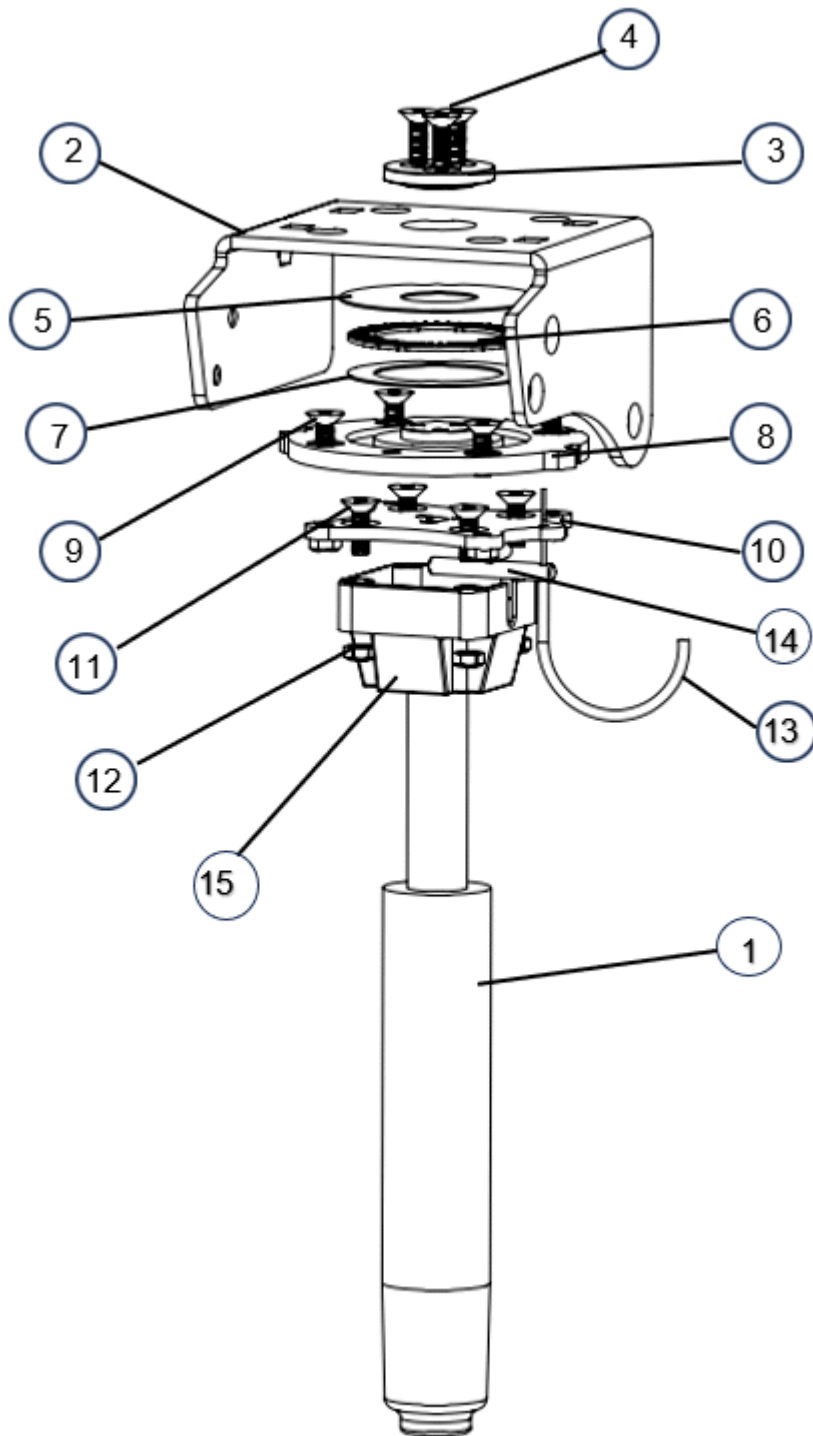
## Electric seat lift



Picture 6

| Item no. | Part number   | Notes  |
|----------|---|--|
| 1.       | 7-TL24-LOW<br>7-TL24-MID LOW<br>7-TL24-MID<br>7-TL24-HIGH | Seat lift stroke 100 mm<br>Seat lift stroke 140 mm<br>Seat lift stroke 180 mm<br>Seat lift stroke 250 mm |
| 2.       | 00440041  |  |
| 3.       | 00440106  |  |
| 4.       | 7-F6S-8x25 10.9   | F6S-8x25 10.9  |
| 5.       | 10032122  |  |
| 6.       | 7-AXK6085   |  |
| 7.       | 7-AS6085  |  |
| 8.       | 10032122  |  |
| 9.       | 7-F6S-8x35  | F6S-8x35   |

**3, 4, 5, 6, 7, 8 Only used with seat rotation.**



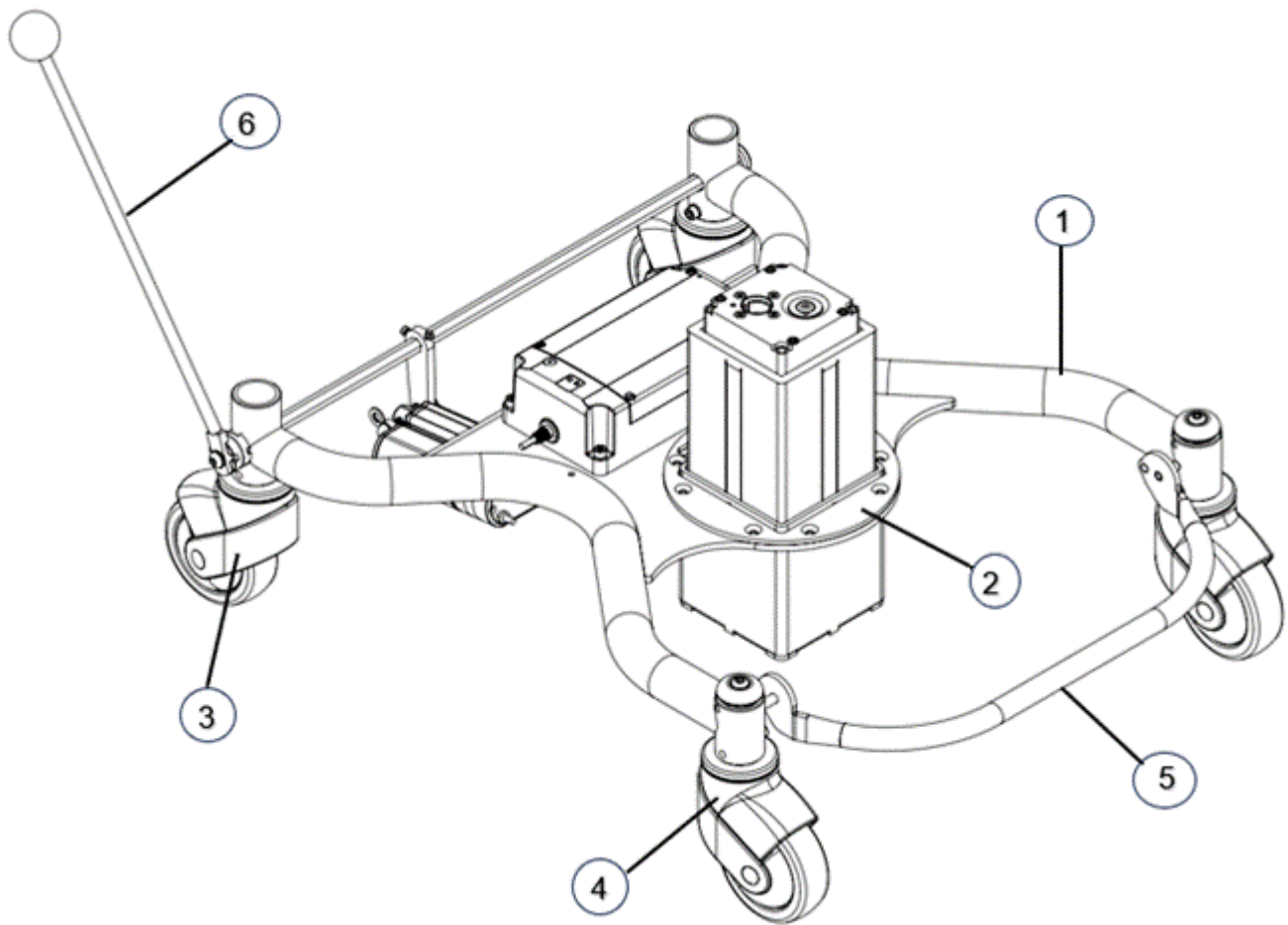
Picture 7

## Part list seat lift manual

| Item no. | Part number     | Notes               |
|----------|-----------------|---------------------|
| 1.       | 221320-0095     | Stroke 95 mm 320 N  |
|          | 221400-0095     | Stroke 95 mm 400 N  |
|          | 221500-0095     | Stroke 95 mm 500 N  |
|          | 221320-0155     | Stroke 155 mm 320 N |
|          | 221400-0155     | Stroke 155 mm 400 N |
|          | 221500-0155     | Stroke 155 mm 500 N |
|          | 221320-0200     | Stroke 200 mm 320 N |
|          | 221400-0200     | Stroke 200 mm 400 N |
|          | 221500-0200     | Stroke 200 mm 500 N |
| 2.       | 00440041        |                     |
| 3.       | 00440106        |                     |
| 4        | 7-F6S-8x25 10.9 | F6S-8x25 10.9       |
| 5.       | 10032122        |                     |
| 6.       | 7-AXK6085       |                     |
| 7.       | 7-AS6085        |                     |
| 8.       | 10032122        | F6S-8x12            |
| 9.       | 7F6S-8x12       | F6S-8x12            |
| 10.      | 00440198        |                     |
| 11.      | 7F6S-8x30       |                     |
| 12.      | 7M8L            | M8 Lock nut         |
| 13.      | 624001-9503     |                     |
| 14.      | 00440206        |                     |
| 15.      | 0044-AM15       |                     |

**3,4,5,6,7,8 Only used with seat rotation.**

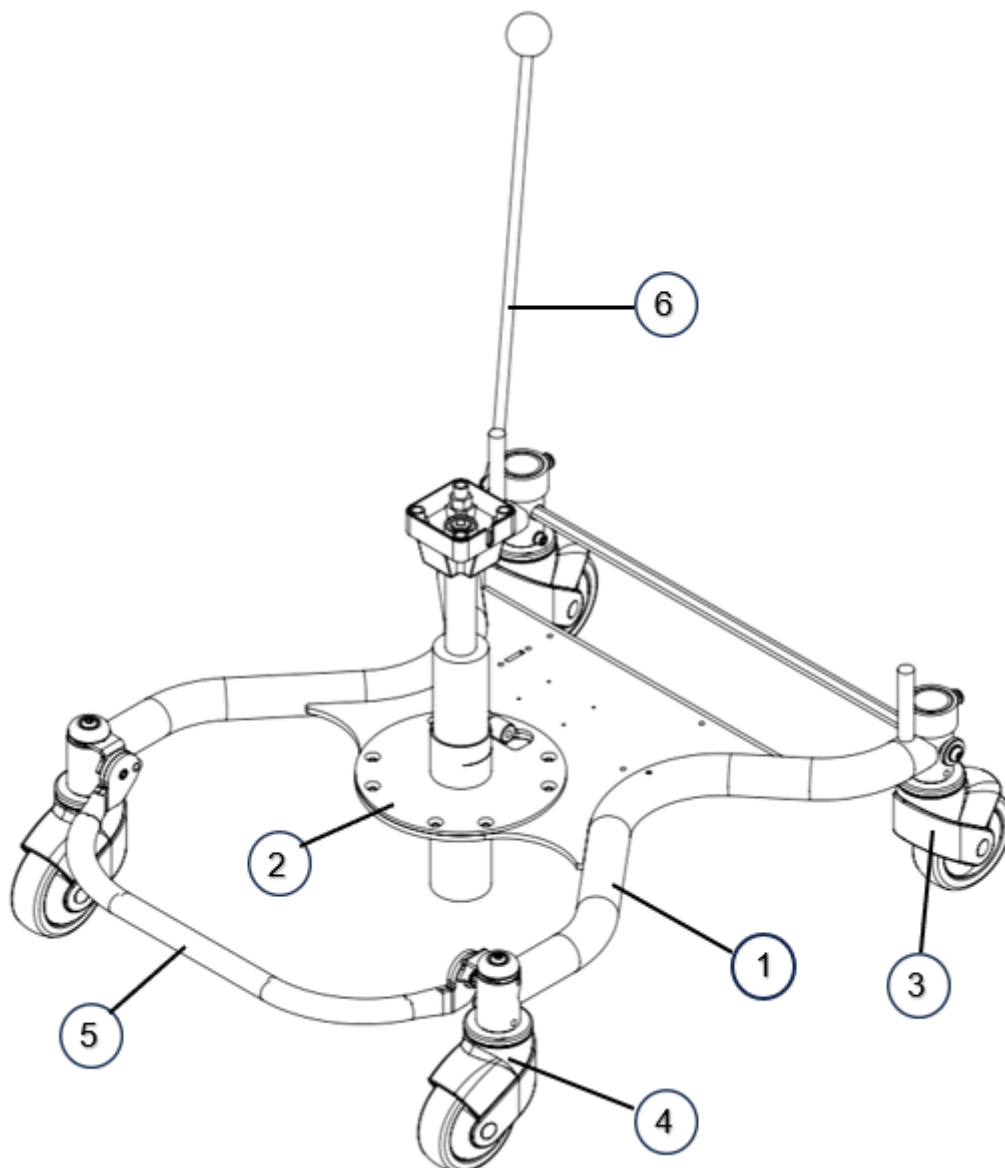
## Chassis electric



Picture 8

| Item no. | Part number        | Notes                           |
|----------|--------------------|---------------------------------|
| 1.       | 10030243           |                                 |
| 2a.      | 00400215           | Pillar bowl low                 |
| 2b.      | 00440218           | Pillar bowl high                |
| 3a.      | SW-00346T          | Central braked wheel 100 mm     |
| 3b.      | 7DUBBELHJUL WIRE-S | Double wheel wire braked 100 mm |
| 3c.      | 7DUBBELHJUL SPAK   | Double wheel central            |
| 4a.      | SW-00329T          | Wheel 100 mm                    |
| 4b.      | 7DUBBELHJUL        | Double wheel without brake      |
| 4c.      | 7DUBBELHJUL WIRE-S | Double wheel wire braked 100 mm |
| 5.       | 900002-1100        |                                 |
| 6.       | 684001-1030K       |                                 |

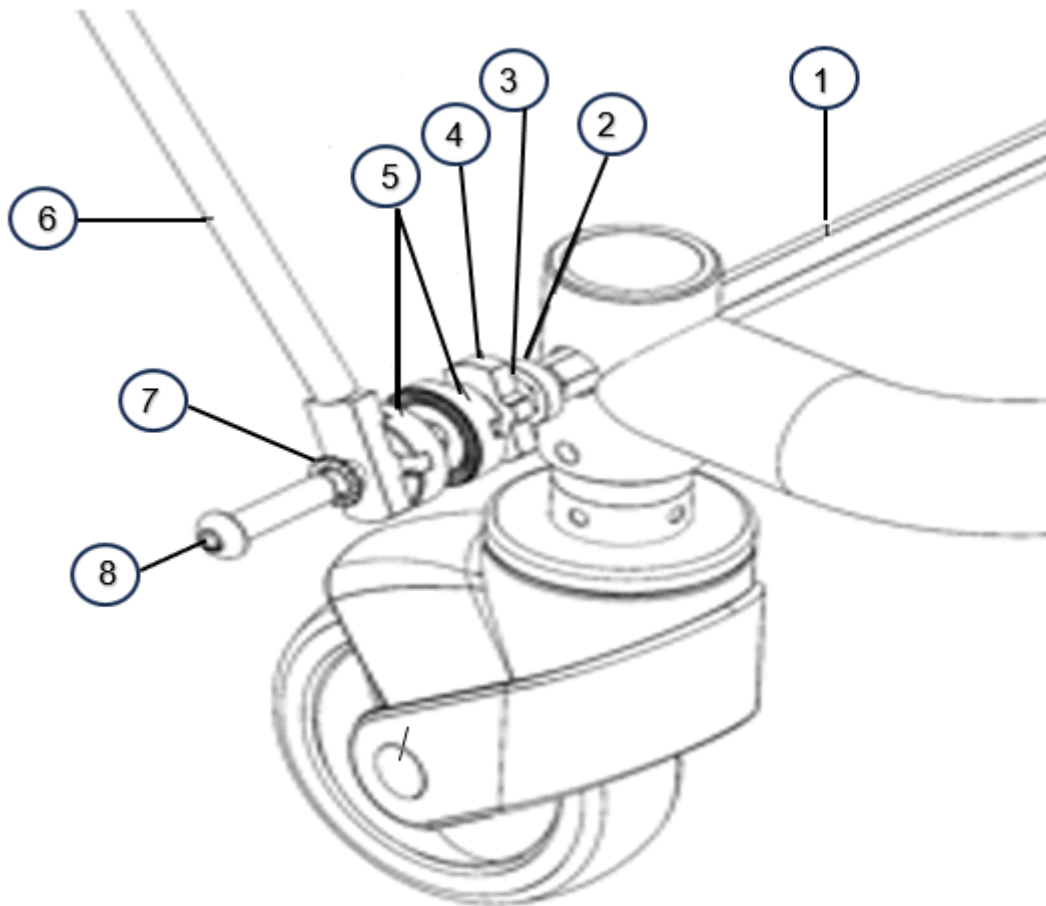
## Chassis gas lift



Picture 9

| Item no. | Part number        | Notes                           |
|----------|--------------------|---------------------------------|
| 1.       | 10030243           |                                 |
| 2a.      | 00440320           | Bowl low                        |
| 2b.      | 00440310           | Bowl high                       |
| 3a.      | SW-00346T          | Central braked wheel 100 mm     |
| 3b.      | 7DUBBELHJUL WIRE-S | Double wheel wire braked 100 mm |
| 3c.      | 7DUBBELHJUL SPAK   | Double wheel central brake      |
| 4a.      | SW-00329T          | wheel 100 mm                    |
| 4b.      | 7DUBBELHJUL        | Double wheel                    |
| 4c.      | 7DUBBELHJUL WIRE-S | Double wheel wire braked 100 mm |
| 5.       | 900002-1100        |                                 |
| 6.       | 684001-1030K       |                                 |

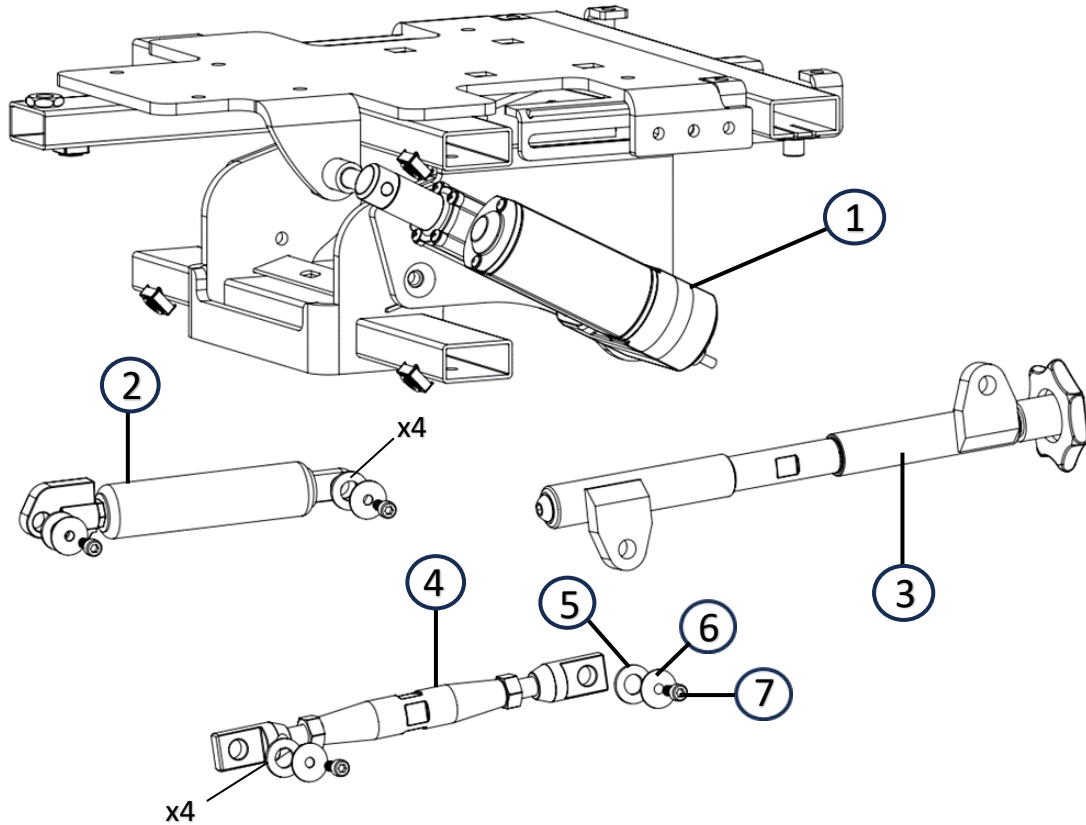
## Brake lever



Picture 10

| Item no. | Part number       | Notes                    |
|----------|-------------------|--------------------------|
| 1.       | SW-01542          |                          |
| 2.       | 7PACKNING         | Rubber washer            |
| 3.       | 7PLASTB-25x12x1,5 | Plastic washer 25x12x1,5 |
| 4.       | SW-020109         |                          |
| 5.       | 624001-9000       |                          |
| 6.       | 684001-1030       |                          |
| 7.       | 7IZ-8             |                          |
| 8.       | 7K6S-8x35         | K6S8x35 black            |

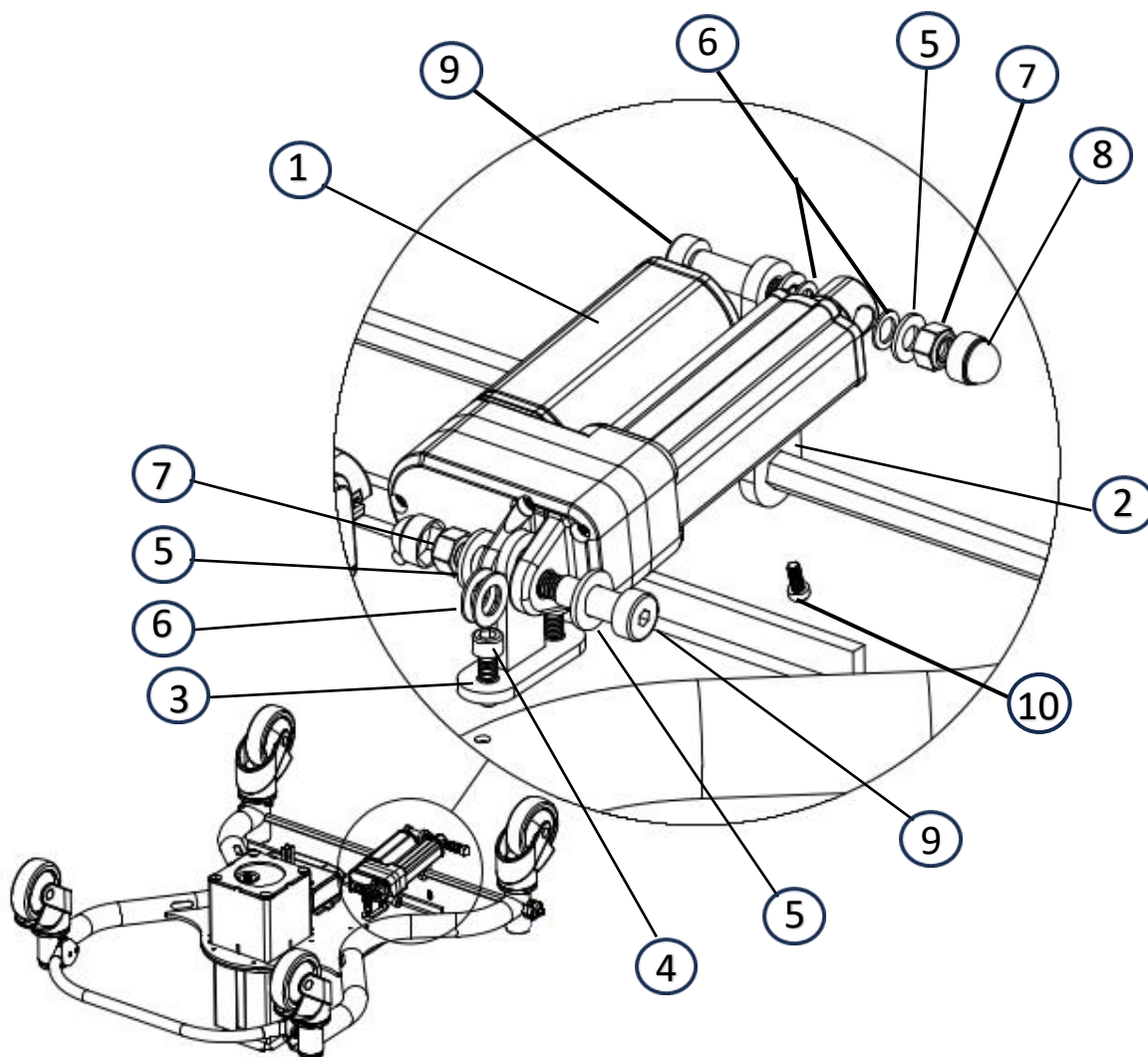
## Tilt device



Picture 11

| Item no. | Part number         | Notes                      |
|----------|---------------------|----------------------------|
| 1.       | 800010-1851         | Actuator 24V stroke 40 mm  |
| 2a.      | KOM3G-3-040-176-001 | 500 N use 4 plastic washer |
| 2.b      | Kom3G-3-040-176-002 | 800 N use 4 plastic washer |
| 3.       | 10030325            | use 4 plastic washer       |
| 4.       | SW-01832            | use 4 plastic washer       |
| 5.       | 7PLASTB10,5x18      | Plastic washer             |
| 6.       | 7NB-5x16x1 FZB      |                            |
| 7.       | MC6S-5x10 LOCK      |                            |

## Electric brake

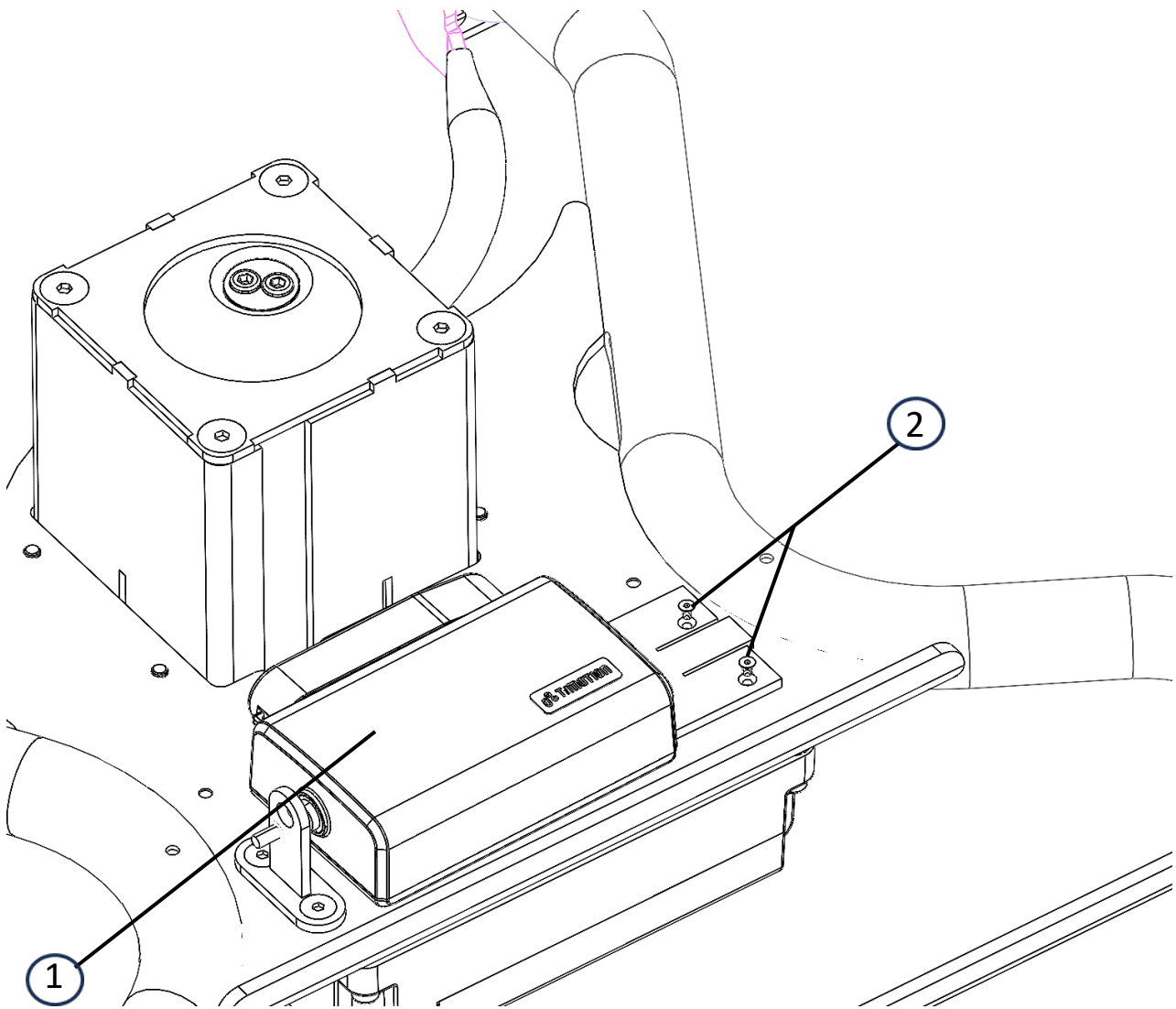


Picture 12

| Item no. | Part number       | Notes                     |
|----------|-------------------|---------------------------|
| 1.       | 491459            | Actuator 24V stroke 50 mm |
| 2.       | 7SCHALHBEL-EVM-A  | Link arm                  |
| 3.       | 00440140          |                           |
| 4.       | 7F6S-6x12         |                           |
| 5.       | 7BRB-10,5x22x2FZB |                           |
| 6.       | 7PLASTB-10,5x18x1 | Plastic washer 10,5*18*1  |
| 7.       | 7LOCKING-M8L FZB  | Lock nut M8               |
| 8.       | 7KH-13-8          |                           |
| 9.       | 7PASSBULT 8x25    | Dowel bolt D10*25 M8      |
| 10.      | 7SK6SS-4x6        | Stopp skruv               |



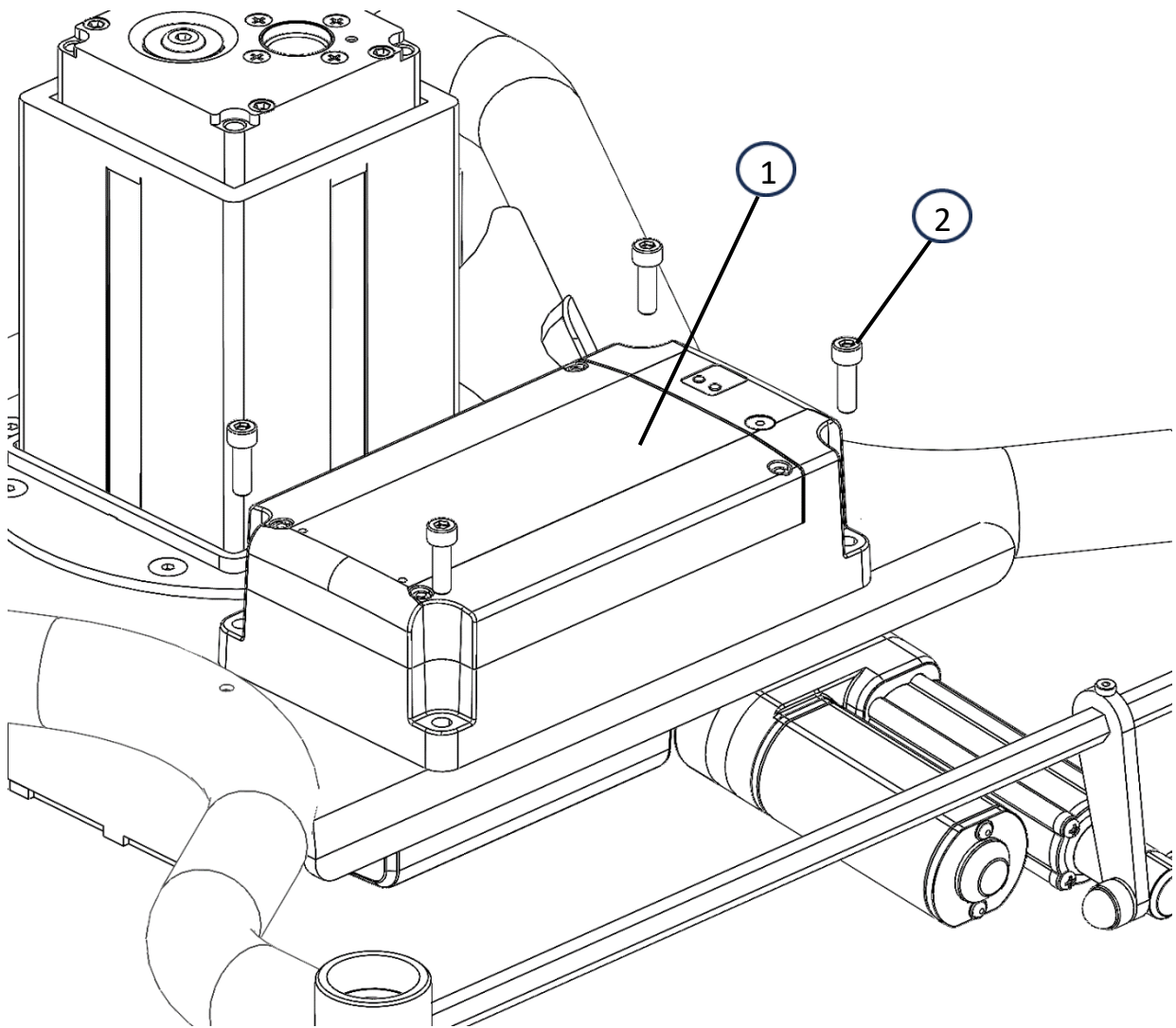
## Control electronics



Picture 13

| Item no. | Part number | Notes                   |
|----------|-------------|-------------------------|
| 1.       | 7-TC14      | Control electronics TC1 |
| 2.       | F6S-3x6     | F6S M3x6                |

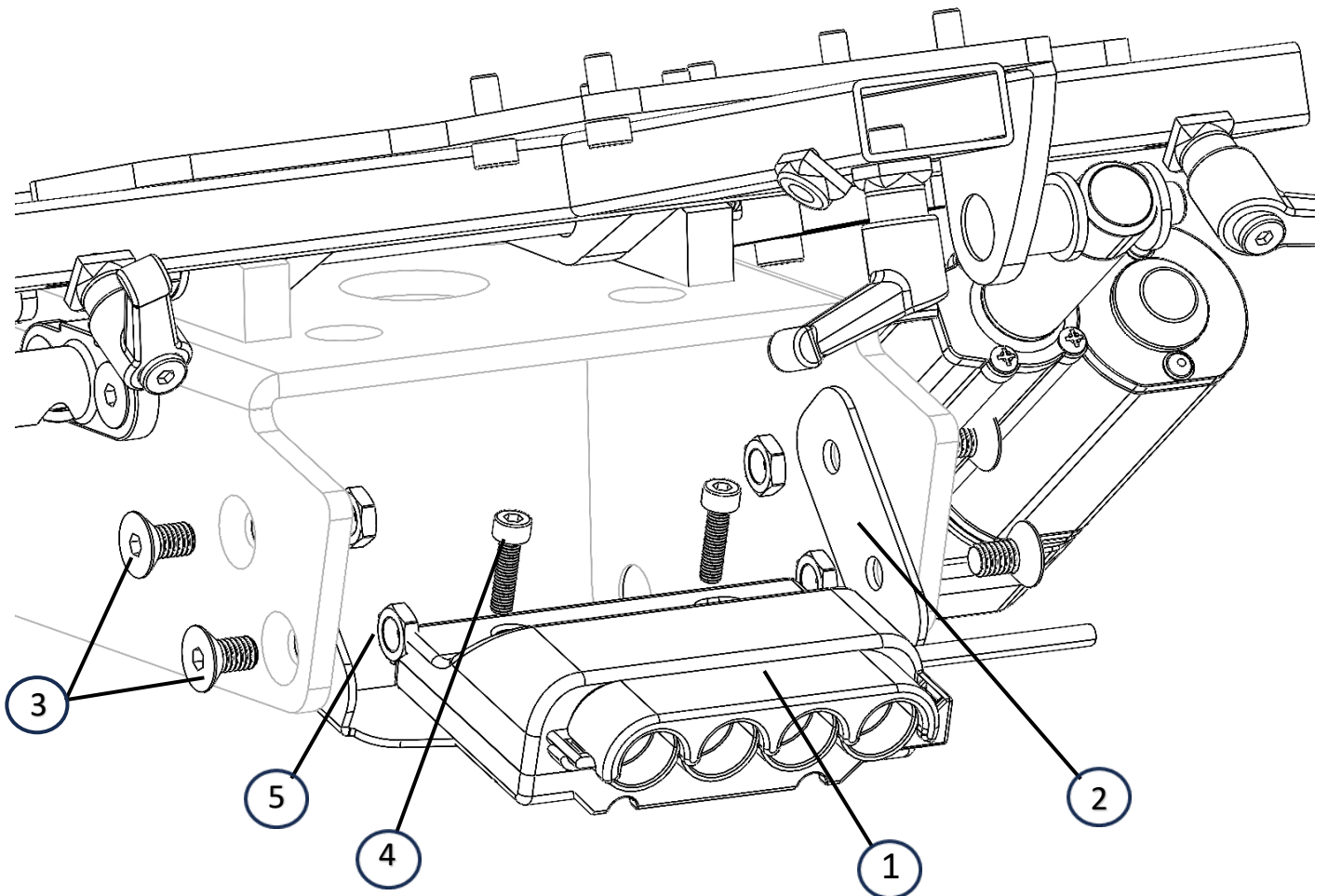
## Battery



Picture 14

| Item no. | Part number | Notes        |
|----------|-------------|--------------|
| 1.       | 7-TBB4      | Battery TBB4 |
| 2.       | MC6S-6x20   | MC6S M6*20   |

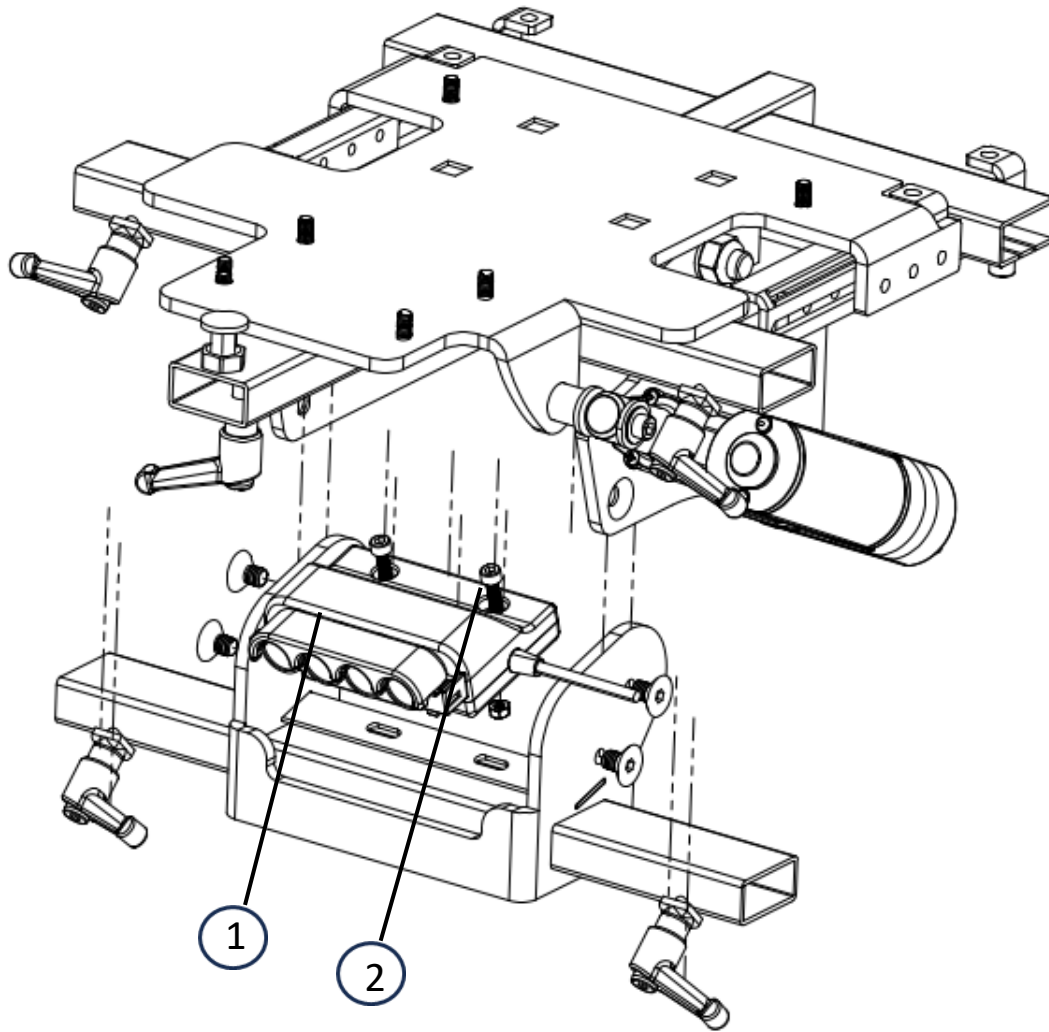
## Distribution box



Picture 15

| Item no. | Part number      | Notes                 |
|----------|------------------|-----------------------|
| 1.       | 7-TJB5           | Distribution box TJB5 |
| 2.       | 10027128         |                       |
| 3.       | F6S-8x20         |                       |
| 4.       | MC6S-5x20        | MC6S M5x20            |
| 5.       | 7LOCKING-M8L FZB | M8 Lock nut           |

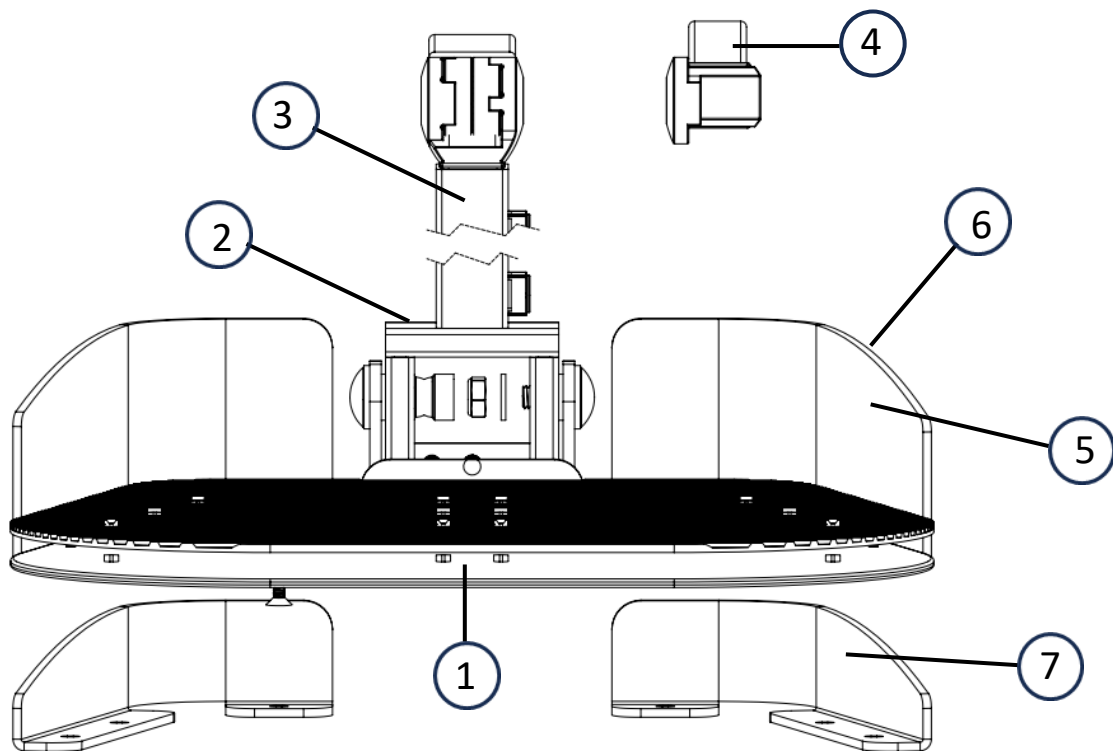
## Distribution box fixt armrest



Picture 16

| Item no. | Part number      | Notes                 |
|----------|------------------|-----------------------|
| 1.       | 7-TJB5           | Distribution box TJB5 |
| 2.       | MC6S-5x20        |                       |
| 3.       | 7LOCKING-M5L FZB | M5 Lock nut           |

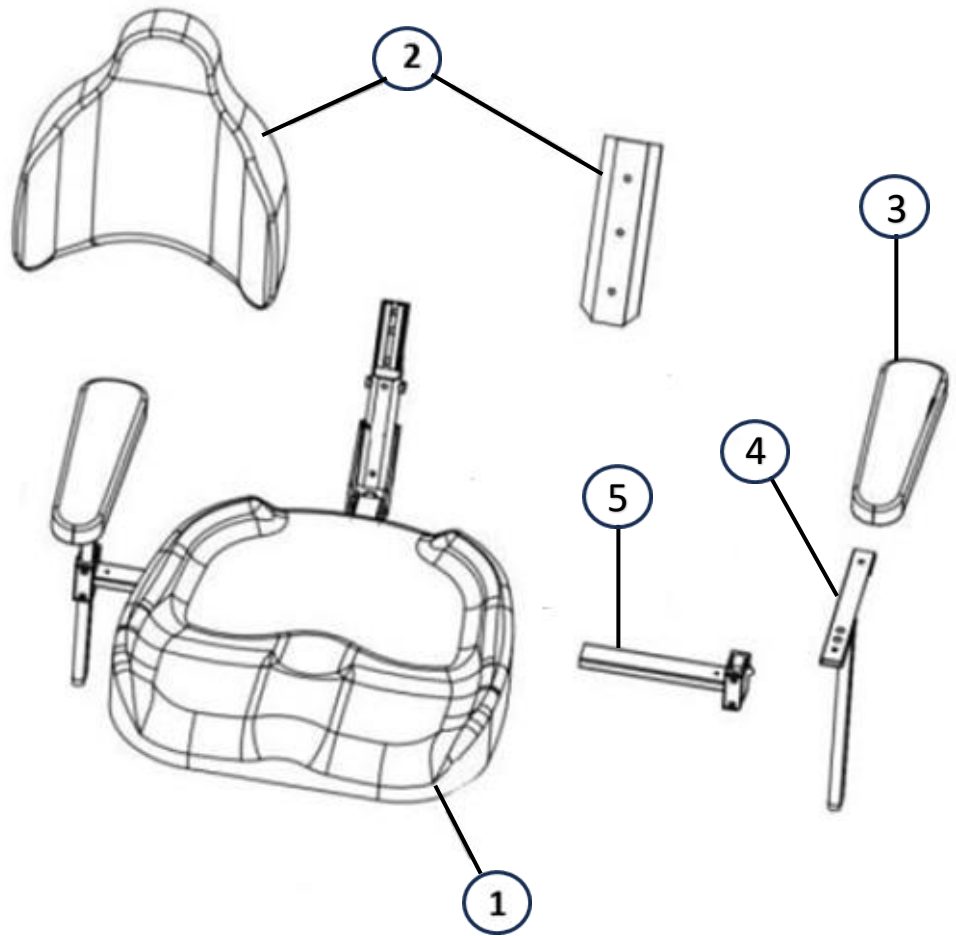
# Footplate



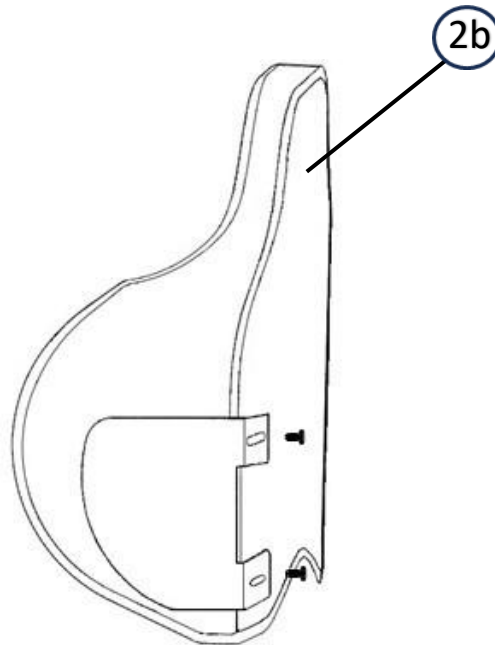
Picture 17

| Item no. | Part number | Notes   |
|----------|-------------|---|
| 1a.      | 224002-2025 | Footplate incl. 1, 2, 3, 4                              |
| 1b.      | 10027278    |   |
| 2.       | 10027006    |   |
| 3.       | 674001-2004 |   |
| 4.       | 624101-2009 | Rubber mat<br>Right and left high<br>Right and left low |
| 5.       | 224002-2040 |   |
| 6.       | 224002-2035 |   |
| 7.       | 224002-2030 |   |

# Configuration



Picture 17



Picture 18

## Configuration part list

| Item no.      | Part number                | Notes                                     |
|---------------|----------------------------|---|
| 1.            | 624520-4040                | 40x40                                     |
|               | 624520-4045                | 40x45                                     |
|               | 624520-4545                | 45x45                                     |
|               | 624520-4550                | 45x50                                     |
|               | 624520-5050                | 50x50                                     |
| 2.            | 224525-3640                | 37x43                                     |
|               | 224525-3640-B              | 37x43 incl. lateral support reinforcement |
|               | 224525-3640-S              | 37x43 incl. lumbar support                |
|               | 224525-4245                | 42x45                                     |
|               | 224525-4245-B              | 42x45 incl. Lateral support reinforcement |
|               | 224525-4245-S              | 42*45 incl. Lumbar support                |
|               | 224525-4550                | 47x47                                     |
|               | 224525-4550-B              | 47x47 incl. lateral support reinforcement |
| 224525-4550-S | 47x47 incl. Lumbar support |   |
| 2b.           | 224536-3640                | SitRite LS 37*43 (inner dimensions 24x43) |
|               | 224536-4245                | SitRite LS 42*45 (inner dimensions 28x45) |
|               | 224536-4550                | SitRite LS 47*47 (inner dimensions 33x47) |
| 3.            | 624002-4004                | 30x8x3 cm                                 |
|               | 624001-4004-S              | 30x8x5 cm                                 |
|               | 624002-4007                | 40x8x3 cm                                 |
|               | 624001-4007                | 40x8x5 cm                                 |
| 4.            | 634001-4012                | Armrest bracket, width adjustment short   |
|               | 624001-4012K               | Armrest bracket, width adjustment long    |
| 5.            | 624001-4010K               | Armrest height adjuster                   |

# Eurovema

Eurovema AB  
Baldersvägen 38, SE-332 35 Gislaved, Sweden  
Tel./Phone +46 371 390 100 | Fax. +46 371 189 82  
info@eurovema.se | [www.eurovema.se](http://www.eurovema.se)